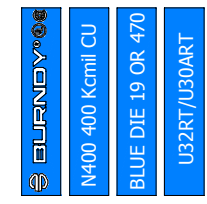
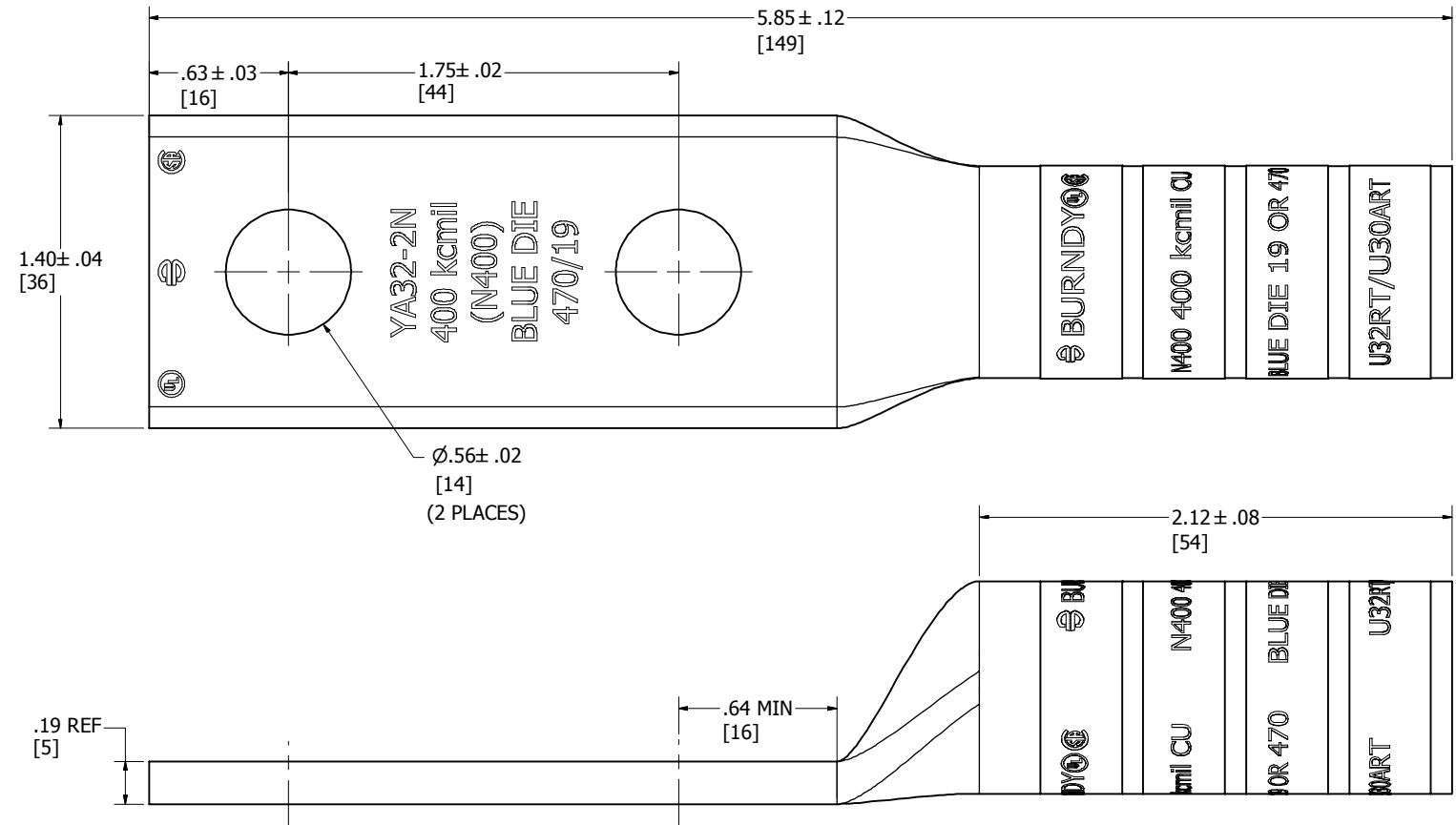
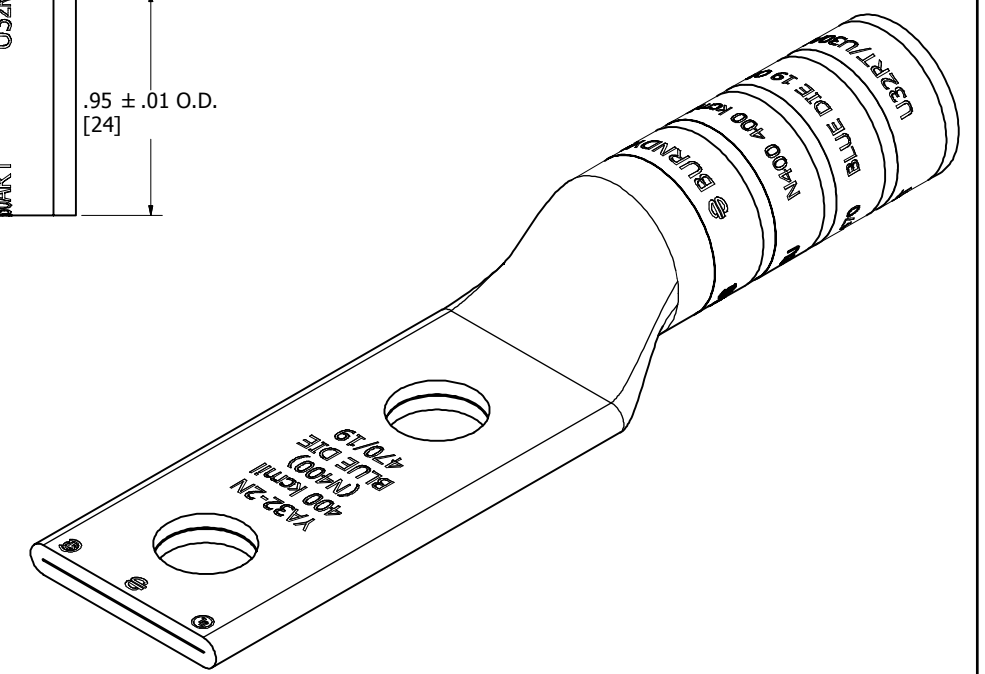


STRANDED COPPER CONDUCTOR ACCOMMODATED			BOLT SIZE	METRIC BOLT SIZE	COLOR CODE	DIE INFORMATION		MECHANICAL RATCHET				HYDRAULIC						DIELESS (# CRIMPS)	WIRE STRIP LENGTH	REV	DATE	DESCRIPTION	ECO	BY	C'H'K	
CODE (AWG)	NAVY	METRIC SIZE (CLASS 2)				DIE INDEX	TYPE	Y1MRTC	OUR840	MD6 MD7	MD6-R2 MD7-34R	PAT600 Y500	Y34A Y34B Y34BH	Y35, Y39 Y750, PAT750	Y46 PAT46	Y45	Y48B			Y60BHU	A	11/14/2012	NEW SALES DRAWING CREATED	29235	SS	MA
400 kcmil	400	-----	1/2	M12	BLUE	19 470	BLUE DIE SET NEST INDENTOR	----	----	----	W32RT (4) W32VT (4)	W32VT (4)	----	U32RT (4) U30ART (4)	U32RT (4) U30ART (4)	U32RT (4) U30ART (4)	C32R(1) C30ART(1)	L32RT(1) L30ART(1)	HYDRAULIC: PAT644 (1), Y644 (1) PAT81KFT (3) Y81KFT (3) PAT4PC834 (3) Y4PC834 (3)	2-3/16"						



BARREL MARKING



NOTES:

- MATERIAL: COPPER TUBING
- FINISH: TIN PLATED.
- CATALOG # PT6515 ADAPTOR IS REQUIRED TO USE "U" DIES IN Y45 SERIES TOOLS.
- CATALOG # PUADP-1 ADAPTOR IS REQUIRED TO USE "U" DIES IN Y46 SERIES TOOLS.
- Y35P3 INDENTOR ADAPTOR REQUIRED FOR Y34PR INDENTOR.
- PERMANENT DIE IN TOOLING.
- DIMENSIONS IN BRACKETS [] ARE IN MILLIMETERS ROUNDED OFF TO THE NEAREST MILLIMETER, UNLESS OTHERWISE NOTED, AND ARE FOR REFERENCE ONLY.
- FOR USE BY CUSTOMERS THAT HAVE THIS HYPRESS™ NO NEW Y34A HYPRESS™ TOOLS ARE BEING PROCESSED. Y34A USES A--D TYPE NEST DIES.
- UL LISTED AND CSA CERTIFIED WIRE CONNECTOR.
- "X", "W-RT", "W-VT", "U", & "L" DIE SETS ARE COLOR CODED. "A", "B", AND "C" DIES ARE NOT COLOR CODED. NESTS AND INDENTOR TYPE ARE NOT COLOR CODED.

TO ORDER BURNDY® PRODUCTS CALL		HYLUG™	
UNITED STATES 1-800-346-4175 (LONDONDERRY, NH)		ITEM NO: 502558	
CANADA: 1-800-361-6975 (QUEBEC) 1-800-387-6487 (ALL OTHER PROVINCES)		CAT. NO: YA322N	
FOR PRODUCT INFO: http://www.burndy.com		DRAWN BY: S. SRIRAM 11/14/2012 CHECKER: J. MICHAUD 05/02/2013 DSN APRVL: R. ROMAN 04/26/2013 MFG APRVL: M. KNAPTON 03/21/2013 QA APRVL: T. WATTS 03/22/2013 MKT APRVL: J. SYLVIA 05/03/2013	
PROJ FAM: CM&R COMPRESSION		DRAWING NO	
PROJECT #: --		50010563	
DOCUMENT TYPE: SALES		REV	
REL LEVEL: Released		A	